

DASH DISASSEMBLY INSTRUCTIONS

1. Open ashtray and remove ashtray cup.
2. Remove (1) phillips screw from rear of ashtray cavity.
3. Carefully unclip trim bezel from around radio/lighter assembly.
4. Disconnect wire harness from lighter and remove trim assembly.
5. Remove the (4) phillips screws securing radio to subdash.
6. Pull radio forward, disconnect the wire harness and antenna lead and remove radio.

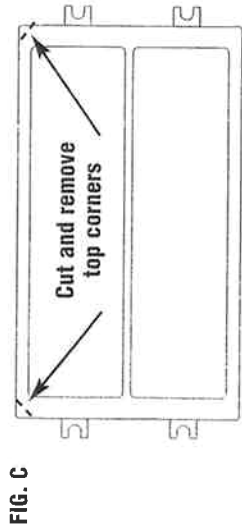


FIG. C

****Remove all mounting tabs on the Side Brackets not shown above.
Remove all mounting Tabs on ISO Trim Ring**

Honda
PASSPORT
RODEO

Izusu
AMIGO
RODEO

SIDE BRACKET PREPARATION

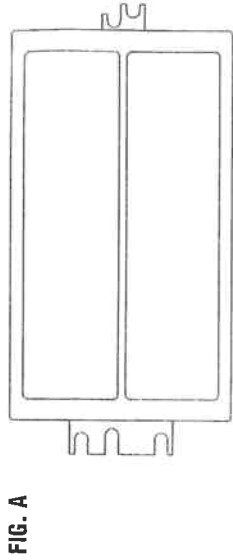


FIG. A

****Remove all mounting tabs on the Side Brackets not shown above.
Remove all mounting Tabs on ISO Trim Ring**

Buick
CENTURY
LA SABRE
PARK AVE
REGAL
REGENCY
RENDEZVOUS
RIVIERA
ROADMASTER
SKYLARK

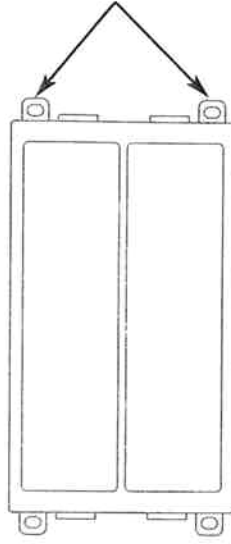
Cadillac
ESCALADE
Chevrolet
BLAZER
CAVALIER
COLORADO
EXPRESS VAN
IMPALA
MALIBU
MONTE CARLO
S-10 P/U
SILVERADO

Suburban
SSR
TAHOE
VENTURE
GMC
CANYON
ENVOY
JIMMY
SIERRA
YUKON
XL

Hummer
H2
Isuzu
ASCENDER
Oldsmobile
ACHIEVA
ALERO
AURORA
BRAVADA
CUTLASS
SUPREME
DELTA

88/ROYALE
INTRIGUE
LSS
NINETY-EIGHT
SILOUETTE
Pontiac
AZTEK
BONNEVILLE
GRAND AM
MONTANA
SUNFIRE

FIG. B



****Remove all mounting tabs on the Side Brackets**

Chevy/GEO
METRO
TRACKER

Suzuki
AERIO
ESTEEM
SIDEKICK
SWIFT

GRAND
VITARA
VITARA
XL-7

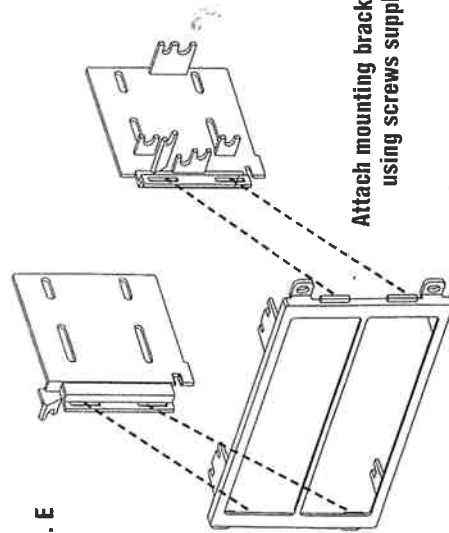
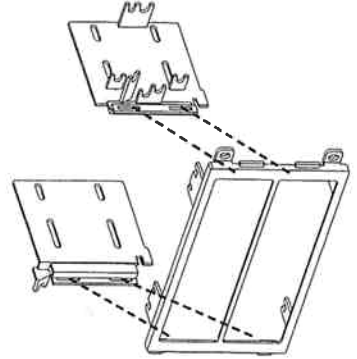


FIG. E

Attach mounting brackets to radio components using screws supplied with kit or radio

Attach trim ring to brackets before tightening radio mounting brackets



Attach mounting brackets to radio components using screws supplied with kit or radio

Attach trim ring to brackets before tightening radio mounting brackets

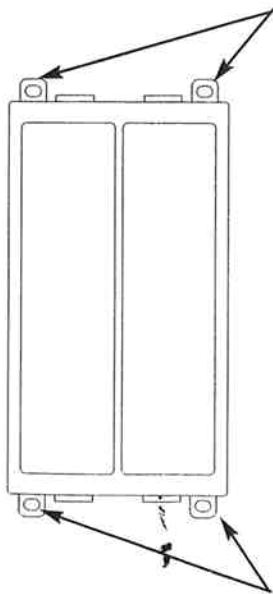
FOR ALL VEHICLES NOT LISTED BELOW

- 1998-02 Honda Passport
- 1998-00 Isuzu Amigo
- 1998-02 Isuzu Rodeo

KIT ASSEMBLY

Attach mounting brackets to radio components using screws supplied with kit or radio

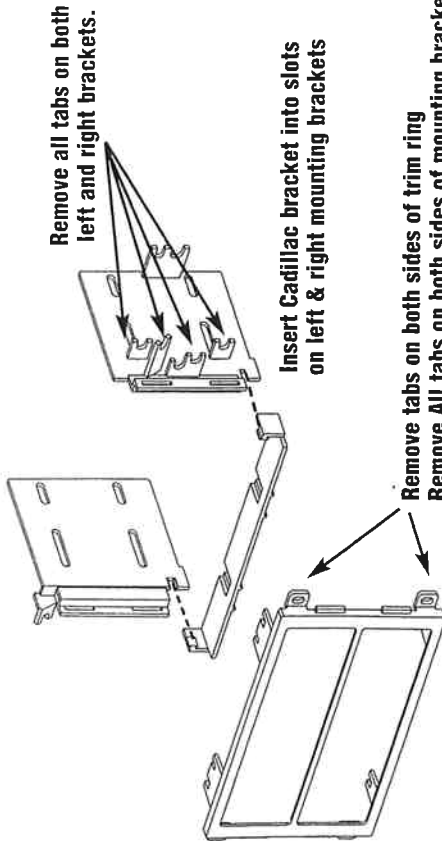
Attach trim ring to brackets before tightening radio mounting brackets



**Remove all mounting tabs on the ISO Trim ring

1992-95 Cadillac Applications

KIT ASSEMBLY



Using 2 nuts & bolts provided with kit, insert 1 bolt into each slot of Cadillac bracket facing downward as illustrated below

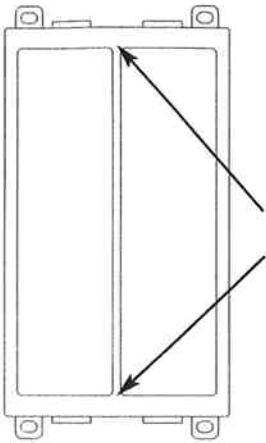


FOR ALL VEHICLES NOT LISTED BELOW

See bracket preparation for your vehicle

Attach mounting brackets to radio components using screws supplied with kit or radio

Attach trim ring to brackets before tightening radio mounting brackets



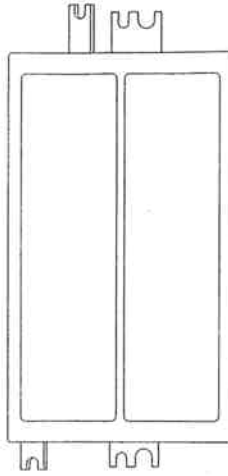
Cut and remove center rib and file sides smooth

2003-06 Pontiac Vibe/2003-07 Toyota Matrix

DASH DISASSEMBLY INSTRUCTIONS

1. Starting from the bottom of the Radio trim bezel, carefully pry outward on the dash trim bezel to unclip the lower edge and sides.
2. Angle the dash trim bezel outward from the bottom and pull the top of the panel down to unfasten the two upper tabs.
3. Pull the trim bezel forward and disconnect all harnesses attached to the panel and remove panel.
4. Remove the harness clamp attached at the rear of the left factory radio bracket.
5. Remove the (4) 10mm bolts securing the factory radio to the sub-dash.
6. Pull radio forward, disconnect the wire harness and antenna lead and remove radio.

FIG. D



**Remove all mounting tabs on the Side Brackets not shown above. Remove all mounting Tabs on ISO Trim Ring

Toyota MATRIX Pontiac VIBE

For kit assembly instructions see Figure E on page 4